

Moeller offers a line of tanks suitable for potable water and a separate line of waste tanks, all rotationally-molded from linear polyethylene (LLDPE). LLDPE resists stress cracking, is non-corrosive, and provides excellent chemical resistance. Durable yet lightweight, LLDPE delivers first-rate impact and puncture resistance. It features high tensile strength and resists environmental stress cracking.

DESIGN OPTIONS

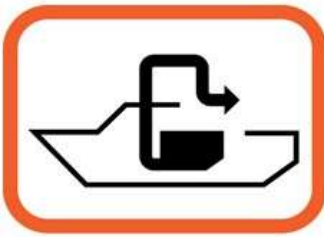
All Moeller linear products are designed and produced at our 300,000 square facility in Sparta, TN. We offer three waste and water tank production options for builders:

- **Off-the-shelf tanks**, in a standard cube configuration, range in capacity from 4 to 97 gallons. To see our stock line, go to www.moellermarine.com.
- **Custom design** lets builders develop a tank to fit available space. We specialize in geometrically novel designs.
- **Spin-welded fittings on open stock** is a perfect approach for builders who may use a standard size but require different site(s) for the ports. We can spin weld the ports wherever you need them on any of the 56 configurations contained in this document—*with no tooling cost*.

MOELLER WATER TANKS

Each Moeller water tank is manufactured at our factory in Sparta, TN. Our water tank resin is approved to NSF 51 and 61, complies with FDA regulation 21 CFR 177.1520 paragraphs (c)3.1a and (c)3.2a, and may be used in contact with food. Each tank features a nominal wall thickness of 0.20 in. (5 mm).

MOELLER WASTE TANKS



Federal Regulation 33CFR159, which incorporates EPA standards for water pollution control, governs the design, construction, and certification of marine sanitation systems. All Moeller waste tanks meet the material and pressure specifications for sanitation tanks as called out in paragraphs 159.109 and 159.111 of the regulation.

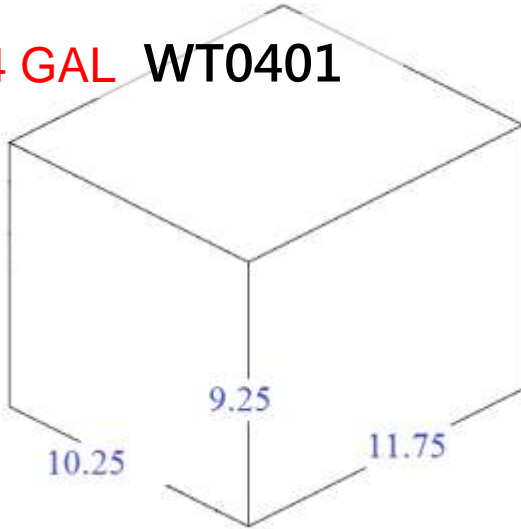
TANK LISTING CONTENTS

Moeller offers 32 different capacities in a range of stock configurations, as shown in the contents below. If you have any questions about our water or waste tank options, contact your Regional Sales Manager, or dial 800-432-8344.

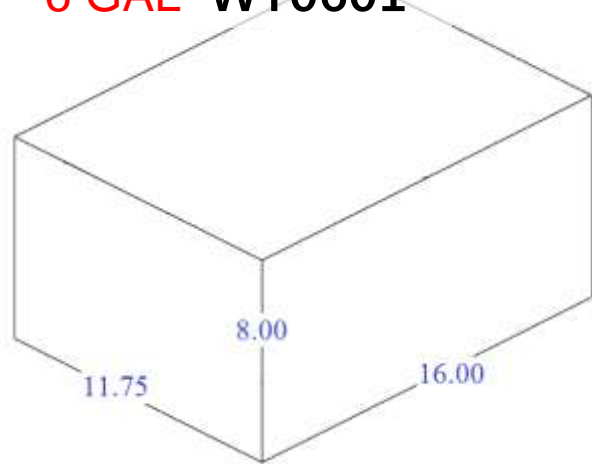
CAPACITY (GAL)	PAGE	CAPACITY (GAL)	PAGE	CAPACITY (GAL)	PAGE
4	1	20	5	51	8
6	1	23	6	53	8
7	1	24	6	55	9
8	2	25	6	57	9
9	2	29	6	66	9
10	3	30	7	75	9
12	3	33	7	76	9
13	4	35	7	77	9
16	5	37	7	82	10
18	5	39	8	97	10
19	5	45	8		

Options. Value. Moeller!

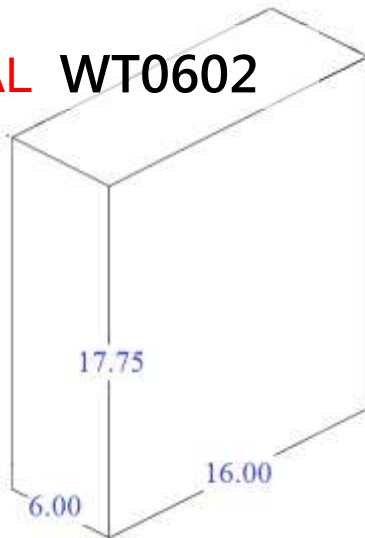
4 GAL WT0401



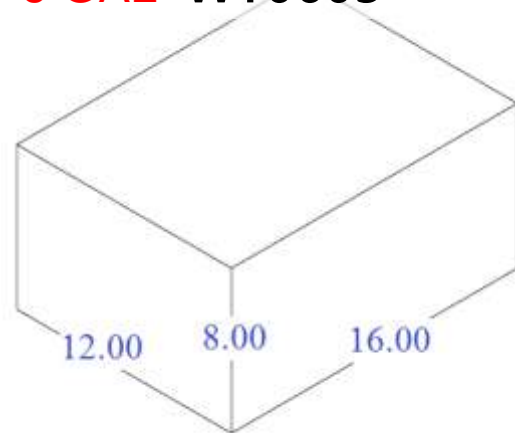
6 GAL WT0601



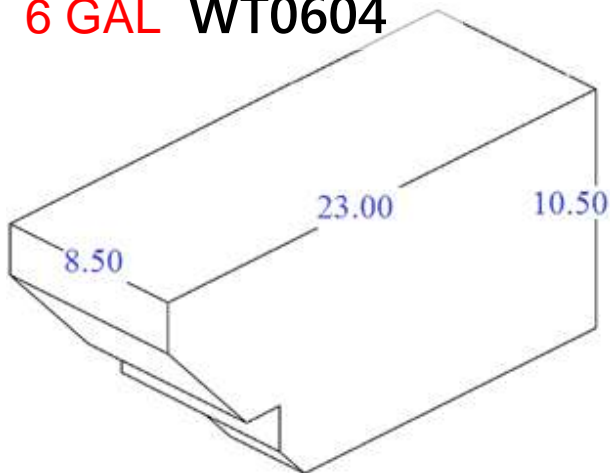
6 GAL WT0602



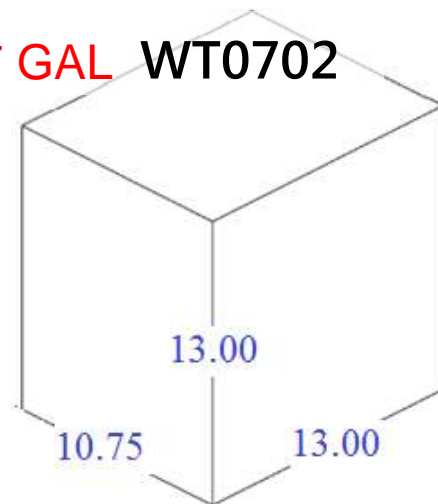
6 GAL WT0603



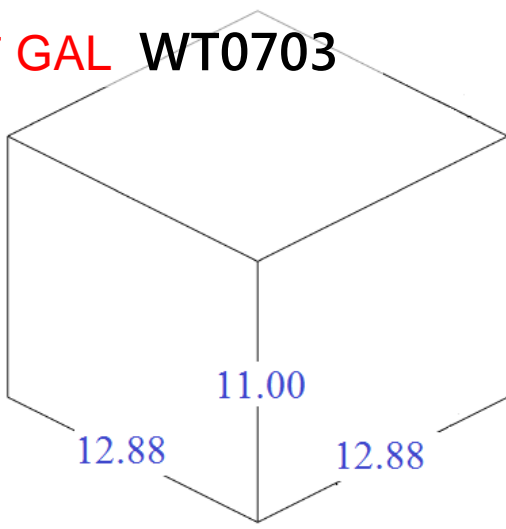
6 GAL WT0604



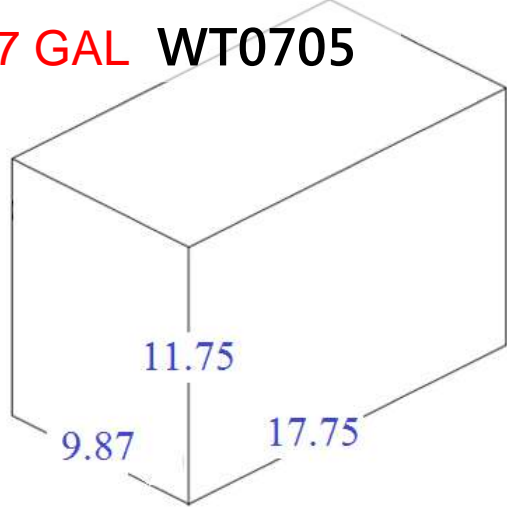
7 GAL WT0702



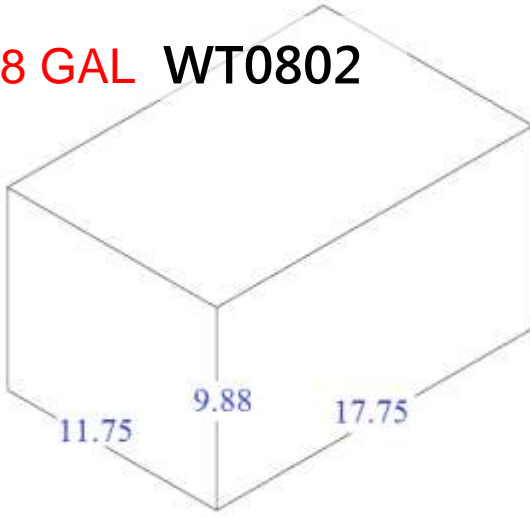
7 GAL WT0703



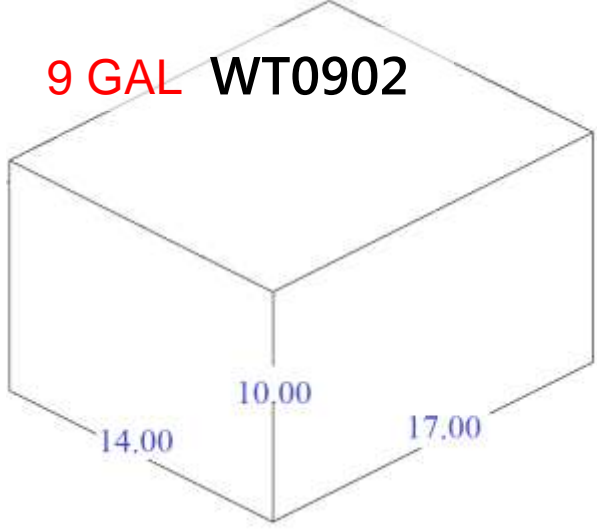
7 GAL WT0705



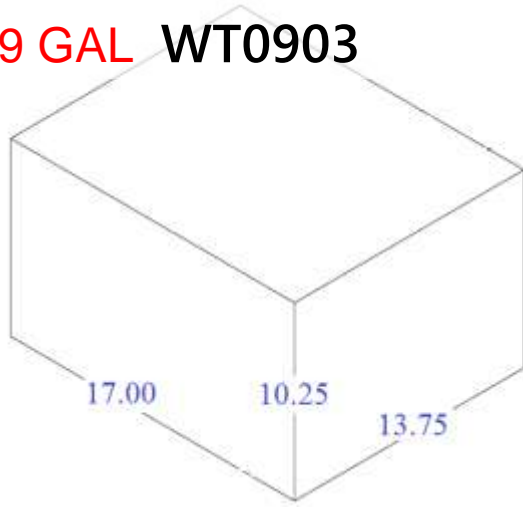
8 GAL WT0802



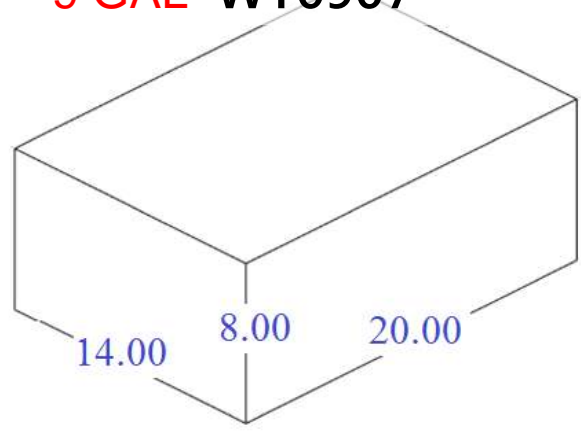
9 GAL WT0902

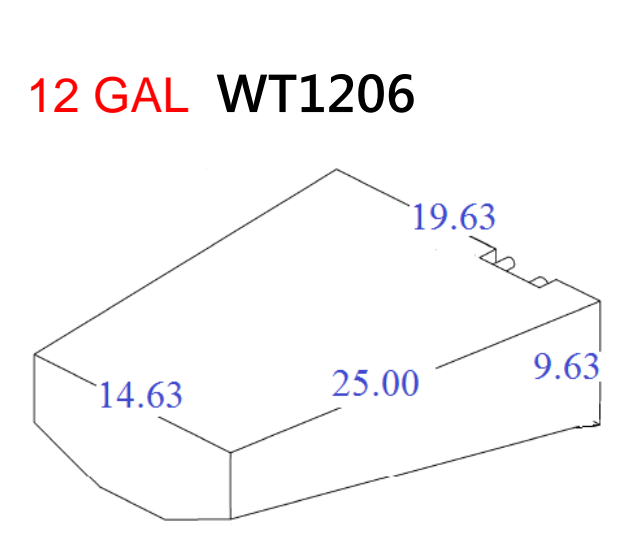
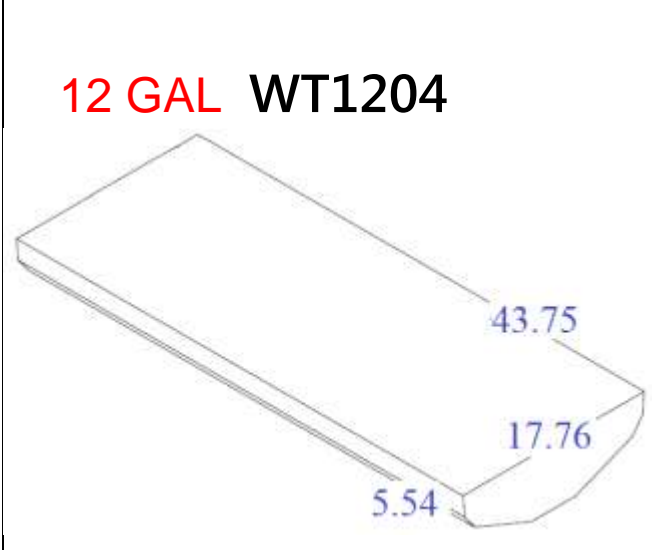
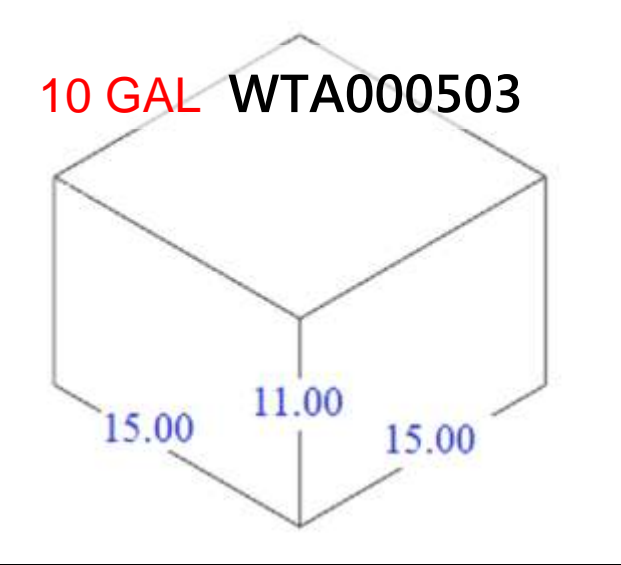
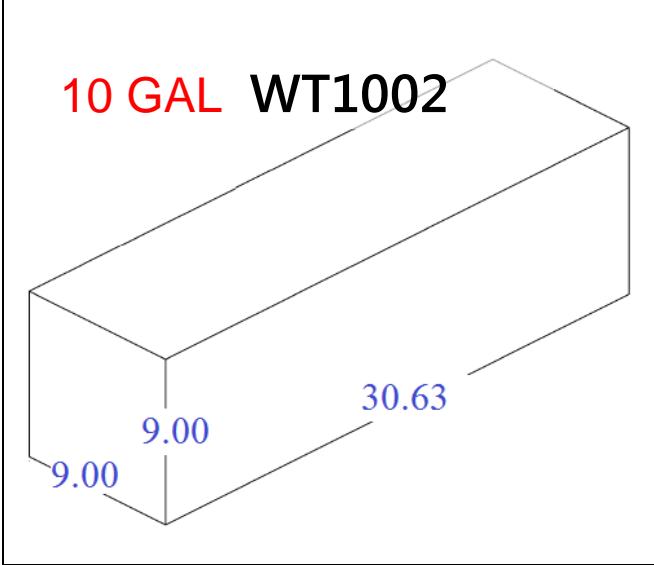
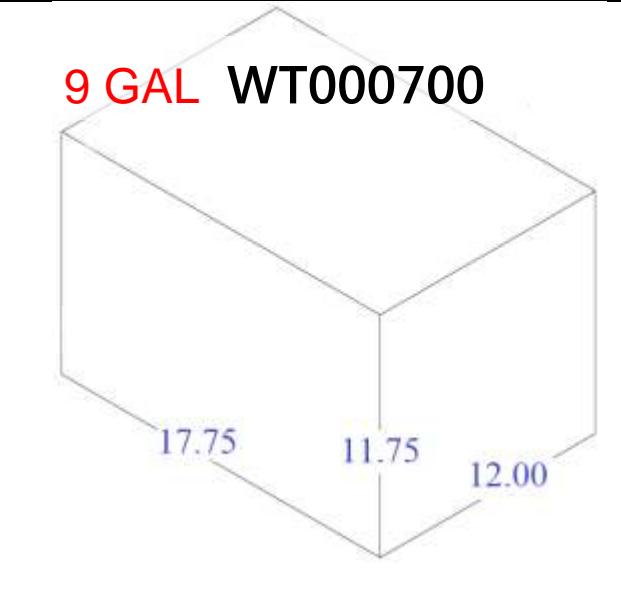
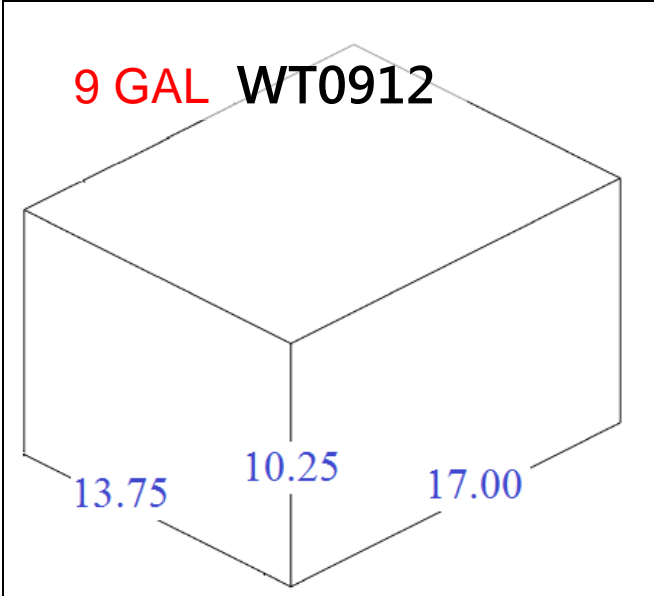


9 GAL WT0903

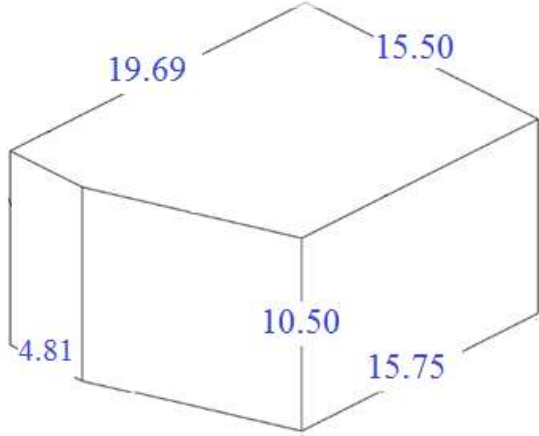


9 GAL WT0907

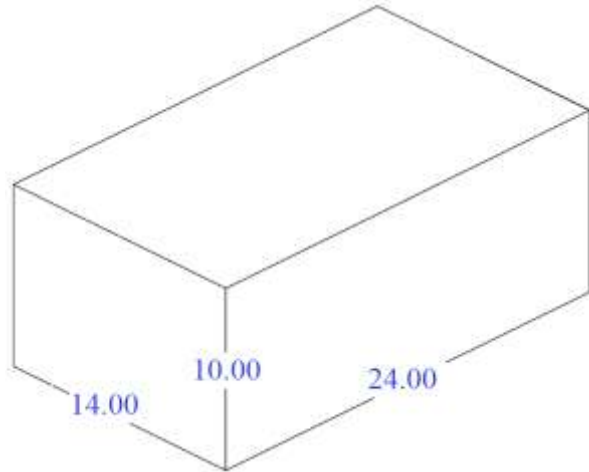




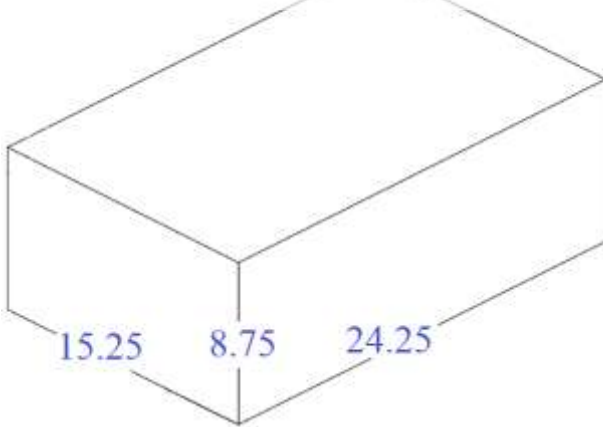
12 GAL WT1207



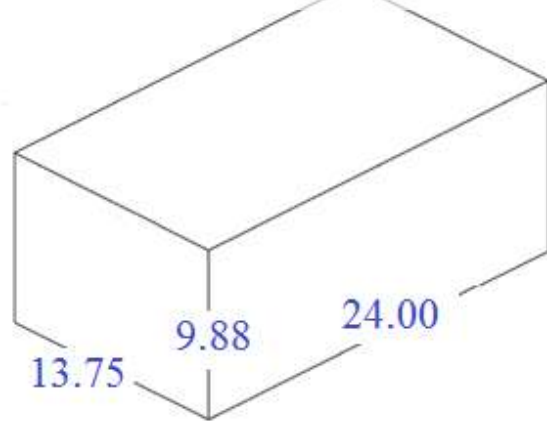
13 GAL WT1301



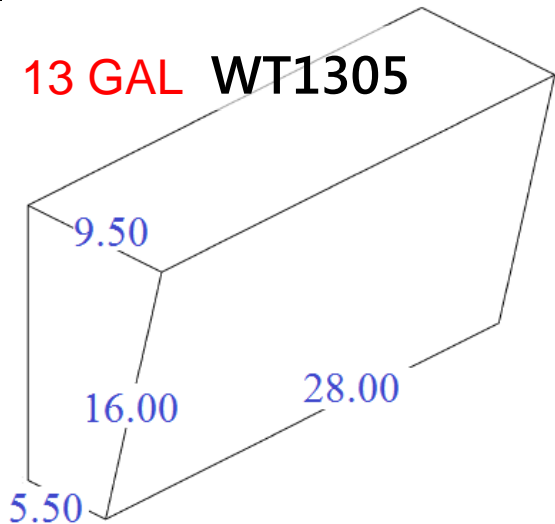
13 GAL WT1303



13 GAL WT1304

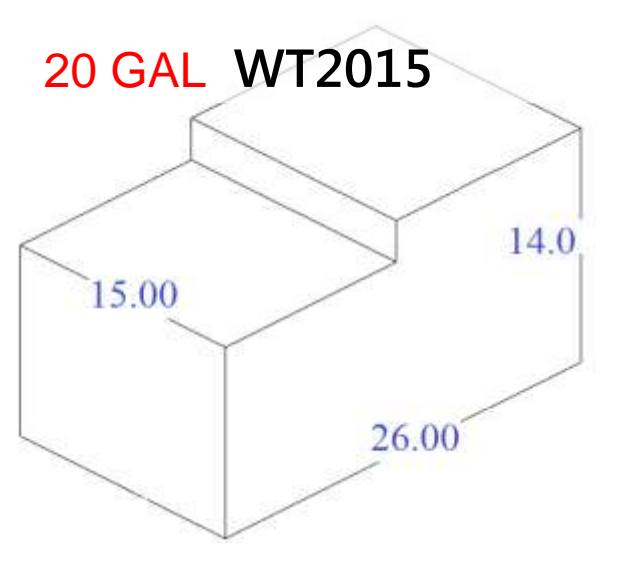
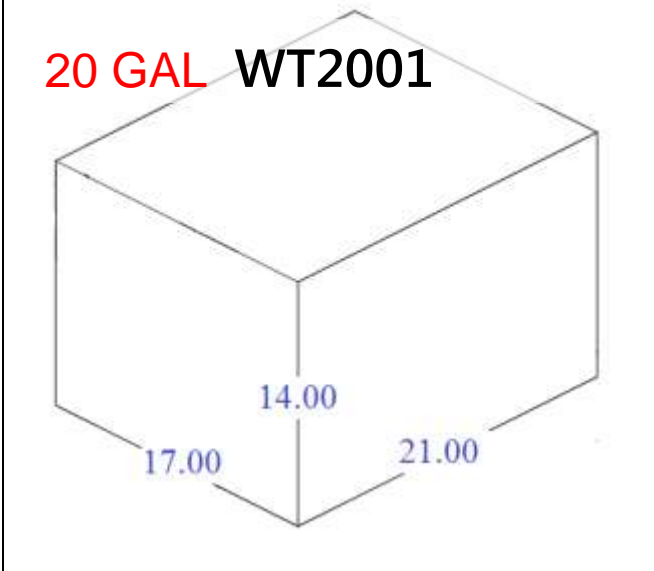
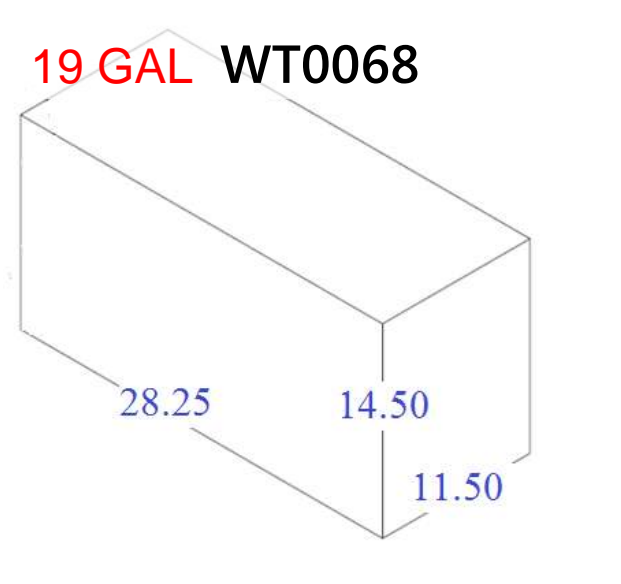
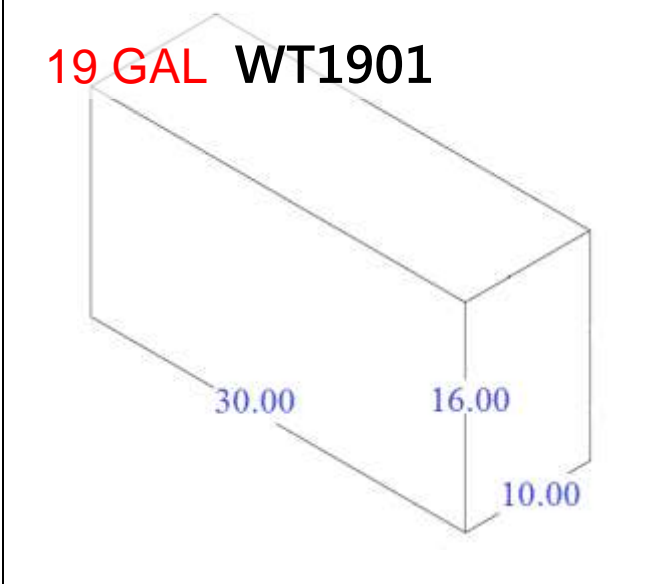
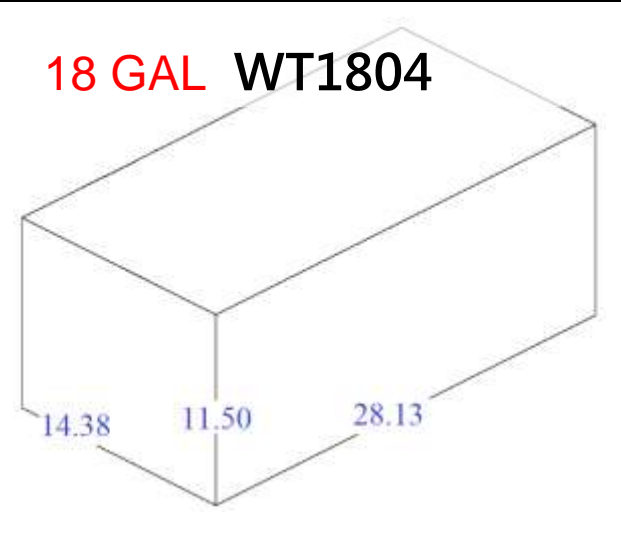
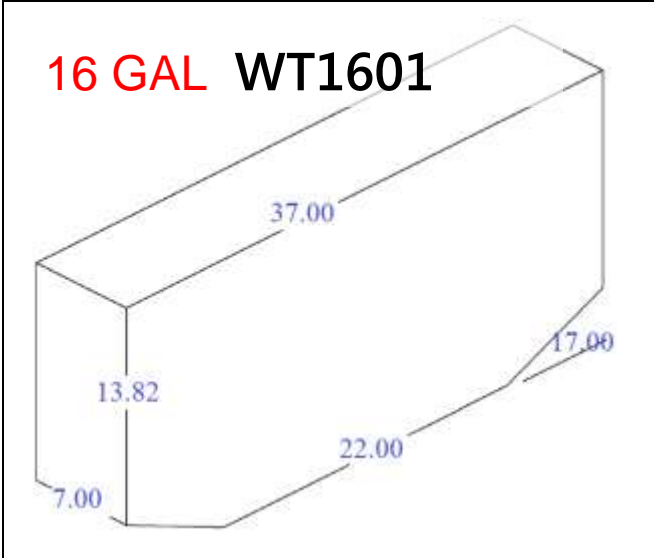


13 GAL WT1305

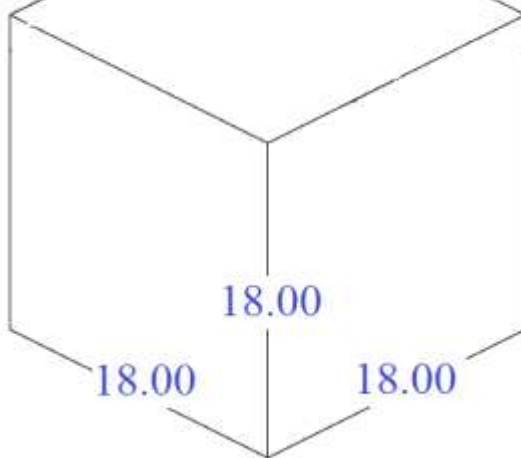


13 GAL WT1306

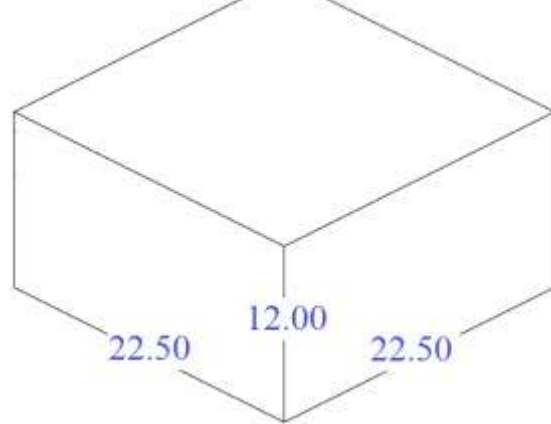




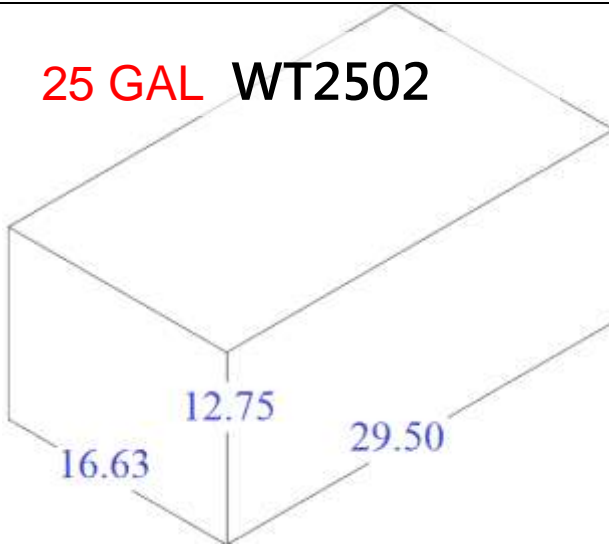
23 GAL WT2306



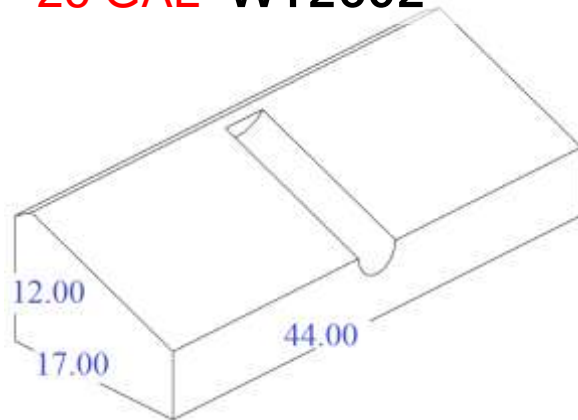
24 GAL WT2401



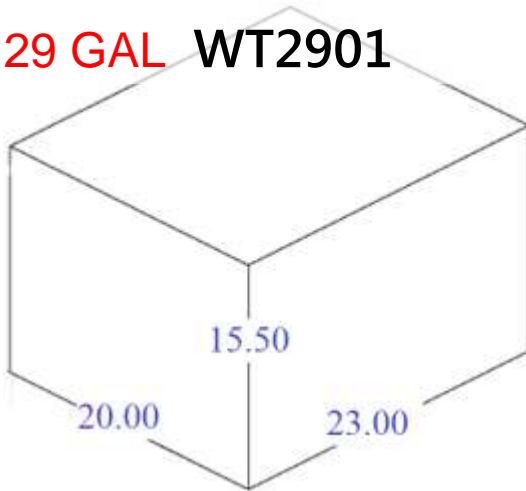
25 GAL WT2502



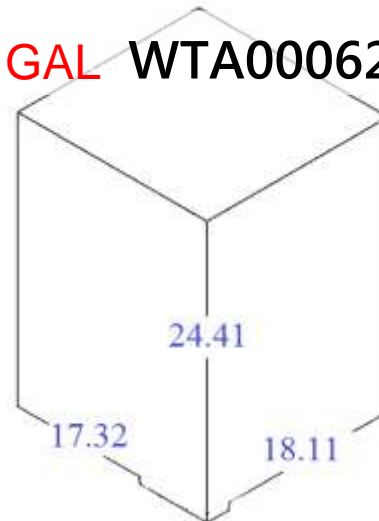
26 GAL WT2602

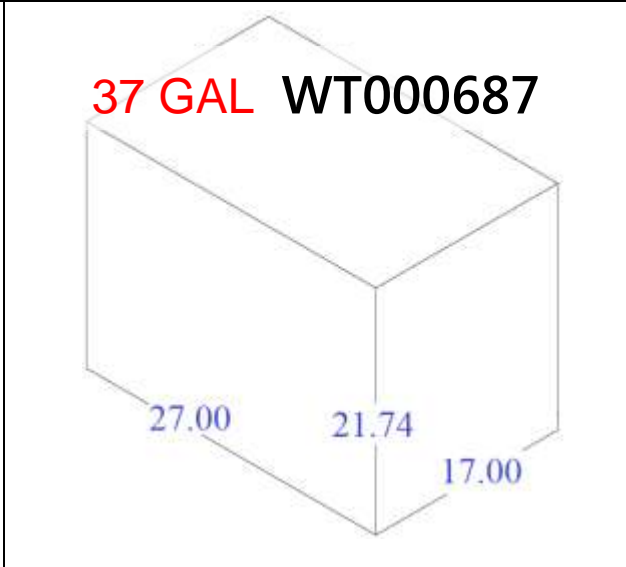
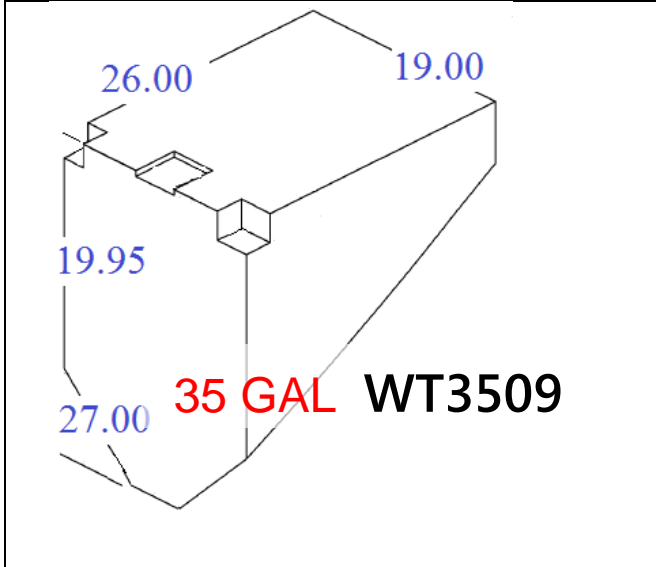
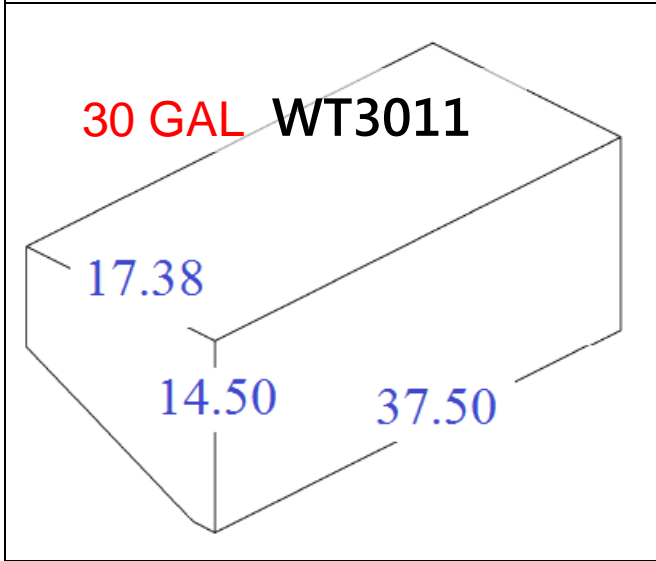
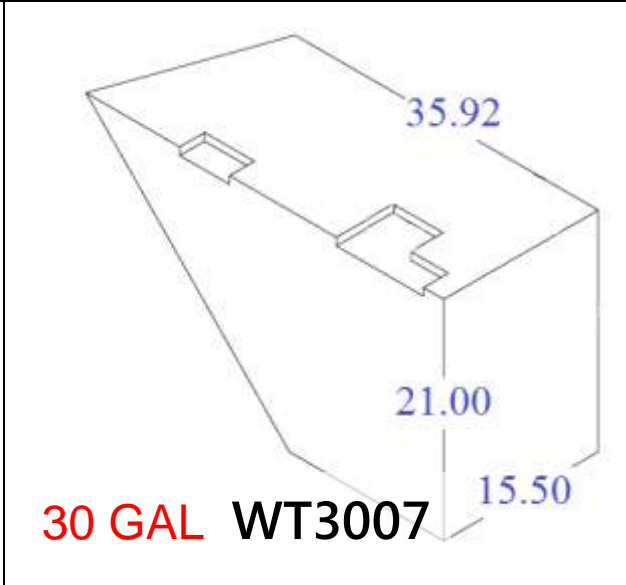
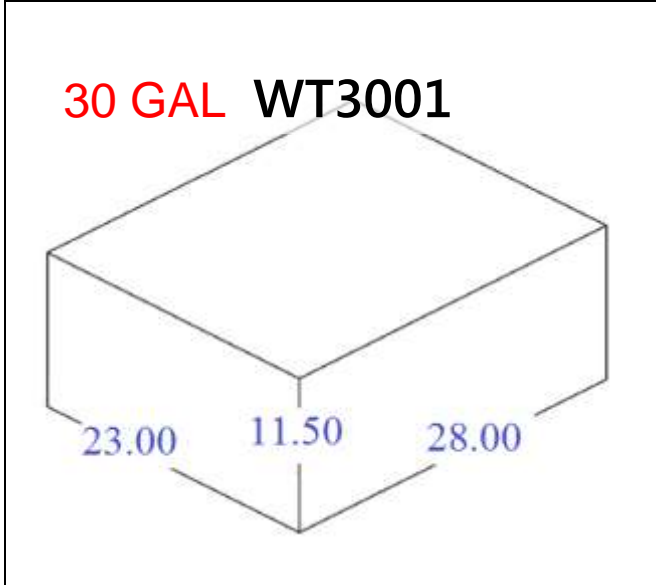


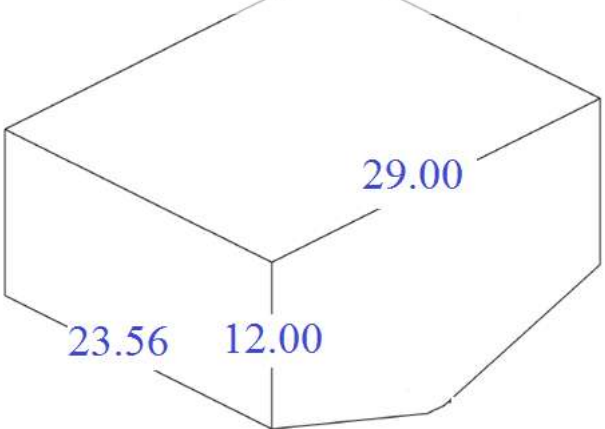
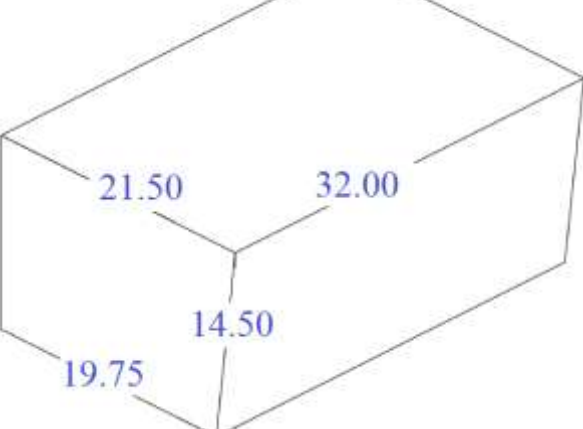
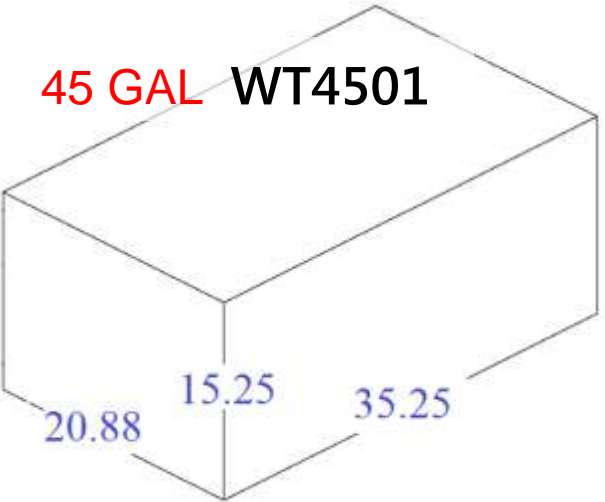
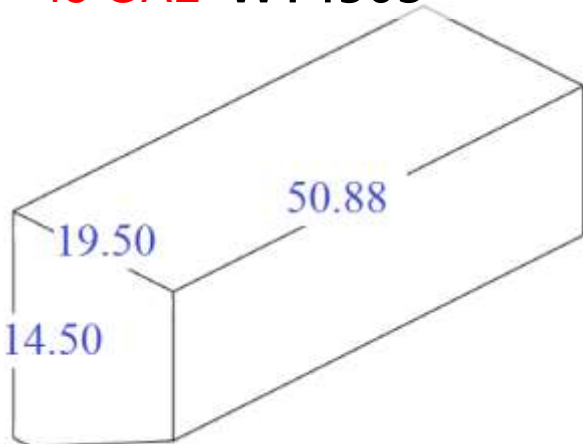
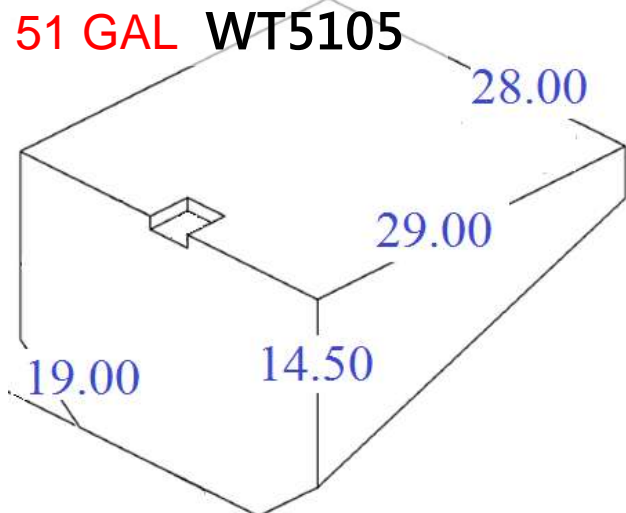

29 GAL WT2901



29 GAL WTA000623





<p>39 GAL WT3902</p>  <p>23.56 12.00 29.00</p>	<p>39 GAL WT3903</p>  <p>21.50 32.00 14.50 19.75</p>
<p>45 GAL WT4501</p>  <p>20.88 15.25 35.25</p>	<p>45 GAL WT4503</p>  <p>19.50 50.88 14.50</p>
<p>51 GAL WT5105</p>  <p>19.00 14.50 29.00 28.00</p>	<p>53 GAL WT5303</p>  <p>17.38 44.50 20.00</p>

